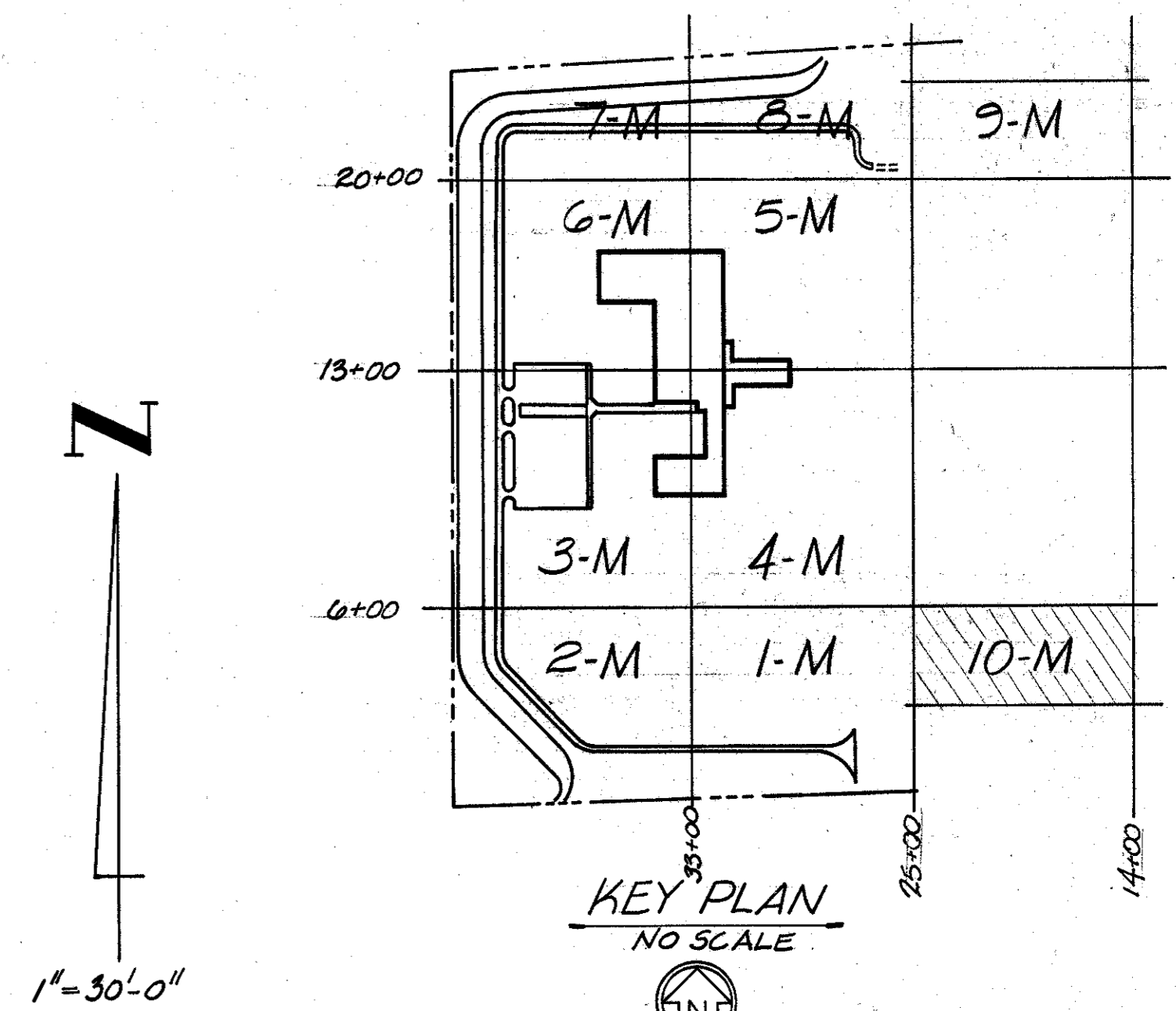
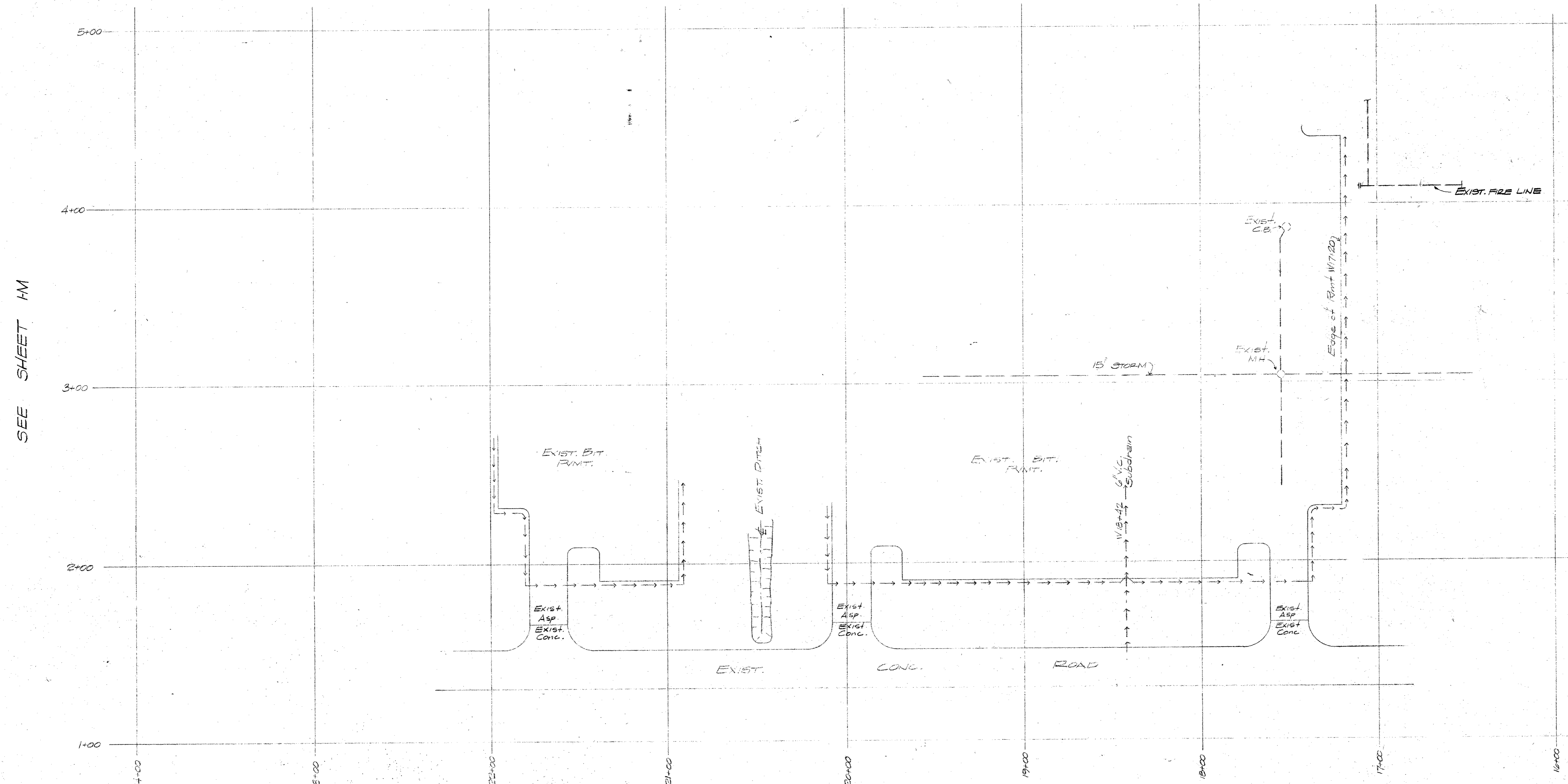


60" HEADWALL DETAILS
(SEE SHEET B-M FOR LOCATION)



SEE SHEET IM

REVISIONS				IN CHARGE: GVR HOLNESS	
Date	By	Bull'n	Date	By	Bull'n
3-27-82	ELU				

DESIGN: GVRH
DRAWN: DDU
CHECKED: JN
DATE: 3-30-77 APP: J. Hull

ALBERT KAHN ASSOCIATES, INC.
ARCHITECTS AND ENGINEERS
NEW CENTER BUILDING
DETROIT, MICHIGAN 48202

JOB TITLE: ROMULUS ENGINEERING COMPLEX
DETROIT DIESEL ALLISON DIVISION
GENERAL MOTORS CORPORATION MICHIGAN
ROMULUS, MI

JOB NO. 2297

SHEET TITLE: PART SITE PLAN - MECHANICAL SERVICES

SHEET NO. 10-M